

H89 Drawer slidebox Slender Metal Drawer

Set Packaging

Extra slender side panel

Maximizing internal drawer space

Concealed

Near invisible look for the drawer runners

With integrated damping system

Synchronized

Simultaneous slide movement for quite and smooth operation

Easy movement

Ultra light opening and closing

High loading capacity

40 kg (88 lbs) of dynamic loading capacity

Color variety

White and grey colors are available

3D front panel adjustment

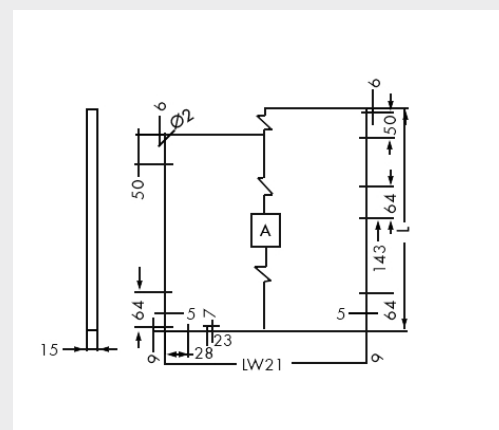
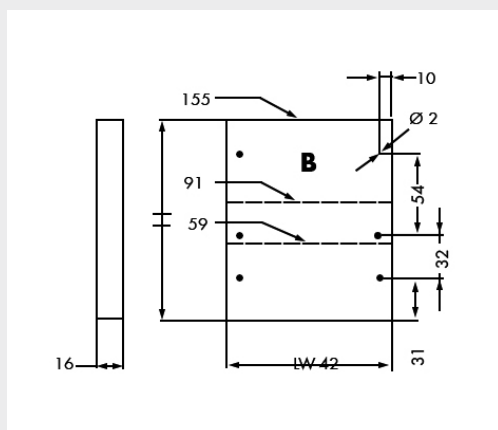
Slide integrated 3D front panel adjustment included

Easy to install

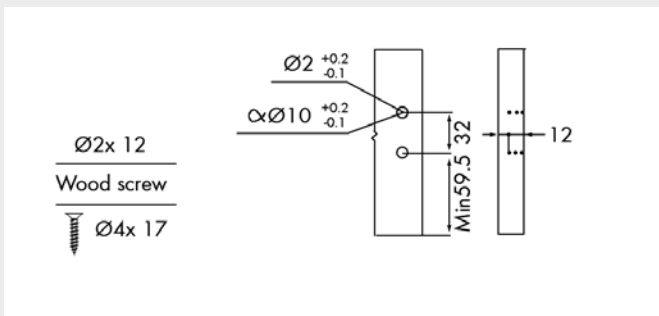
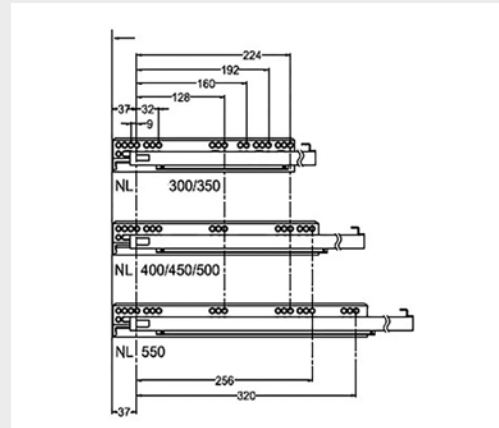
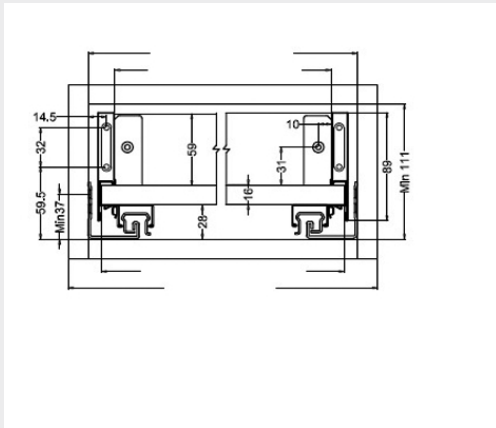
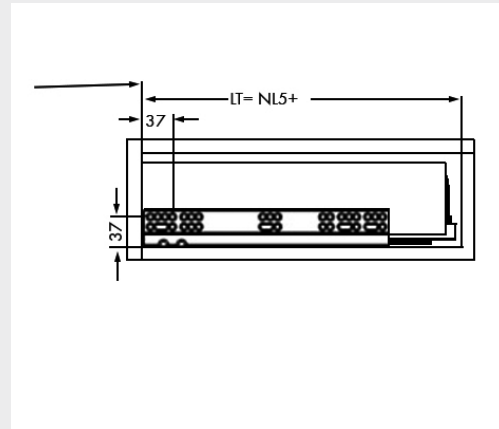
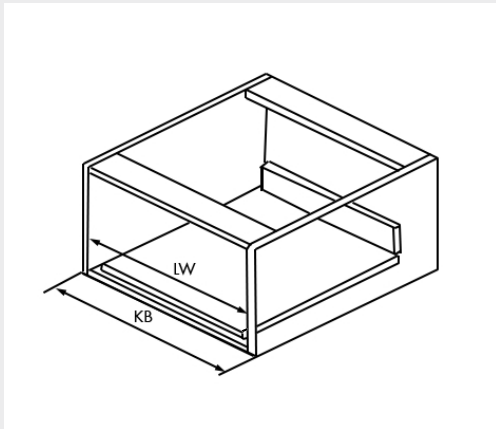
Quick installation and easy dismantling



Technical Information



Technical Information



Details/Application



