

## H185 Drawer slidebox Slender Metal Drawer

### Set packaging

### Extra slender side panel

Maximizing internal drawer space

### Concealed

Near invisible look for the drawer runners

### With integrated damping system

### Synchronized

Simultaneous slide movement for quite and smooth operation

### Easy movement

Ultra light opening and closing

### High loading capacity

40 kg of dynamic loading capacity

### Color variety

White and grey colors are available

### 3D front panel adjustment

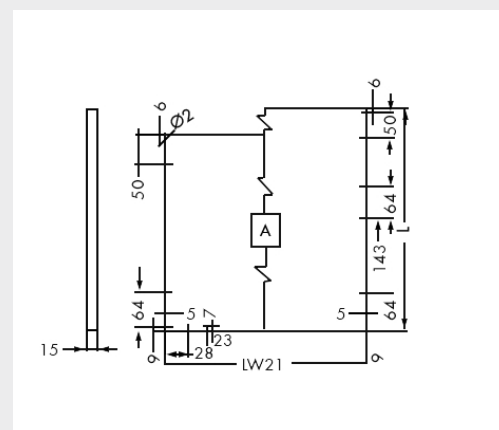
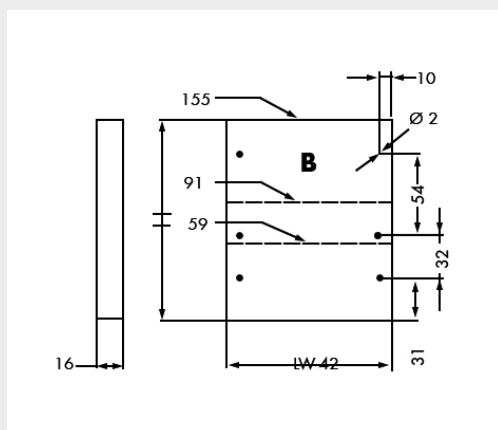
Slide integrated 3D front panel adjustment included

### Easy to install

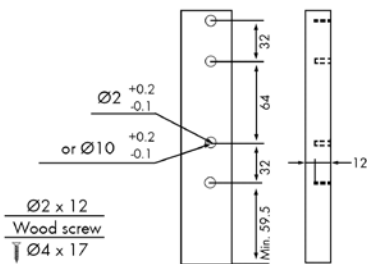
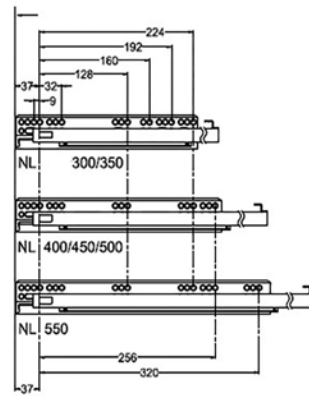
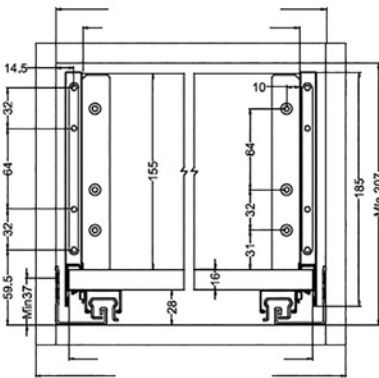
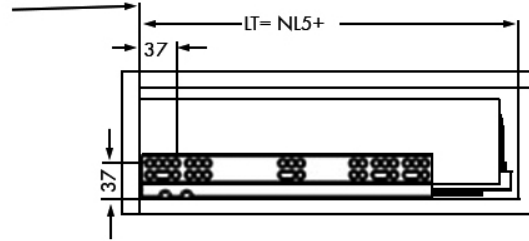
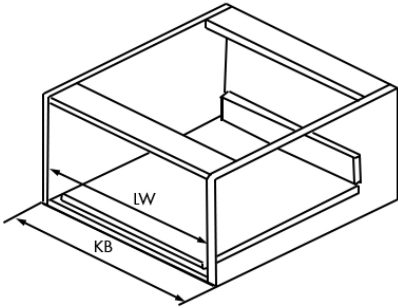
Quick installation and easy dismantling



## Technical Information



## Technical Information



## Details/Application

